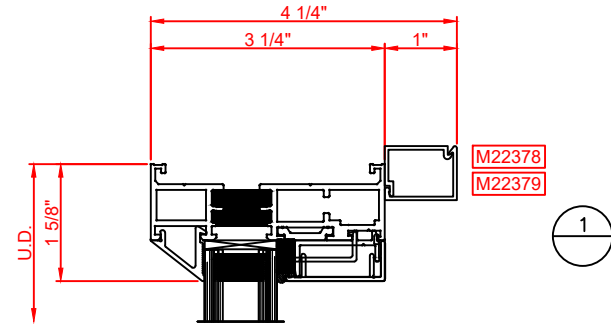
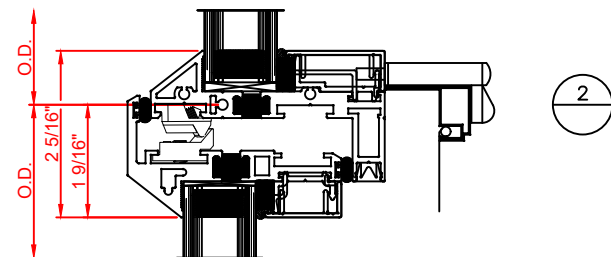
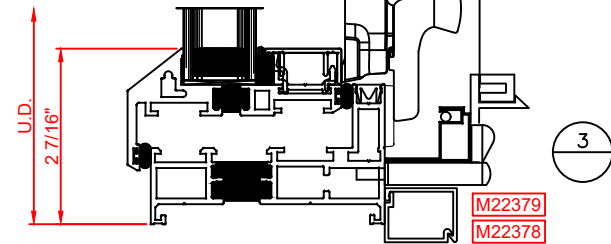
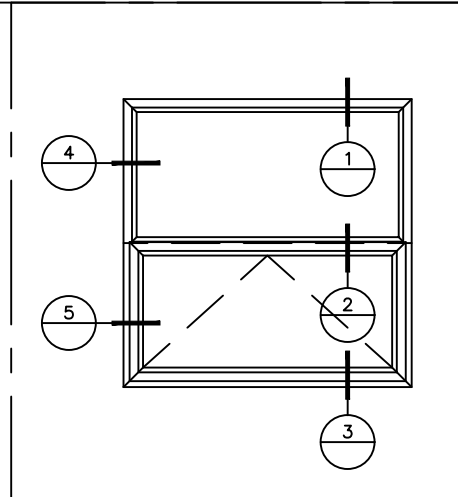
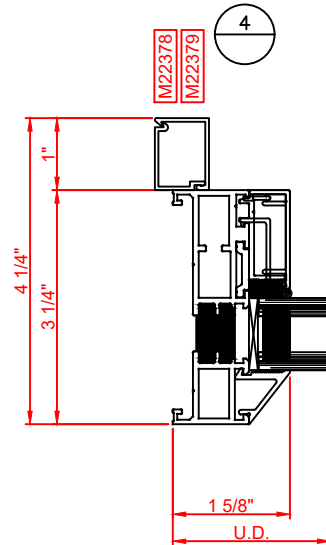
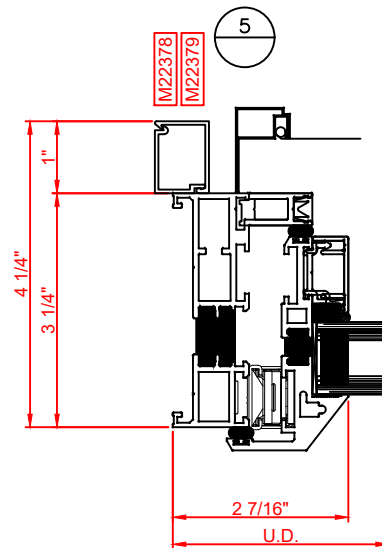


**EXTERIOR**



**EXTERIOR**



SERIES	H450
CONFIGURATION	FIXED OVER AWNING
INSTALLATION METHOD	INTERIOR SNAP TRIM
<p>Quaker reserves the right to change any/all designs without notice. Due to periodic re-certification requirements, result shown may vary.                      Installation methods shown are generic. No sealant shown on details.                      Accessory part numbers are shown on the cut sections.                      Contact Quaker if job specific details are required.                      This Document contains confidential and proprietary information intended for the private use of Quaker.                      2015 Quaker Window Products Co., Inc.                      All rights reserved.</p>	

**CUT DETAILS**

**QUAKER DETAILS**

Description:  
 QUAKER WINDOW PRODUCTS  
 WILL NOT BE RESPONSIBLE  
 FOR FIELD MEASUREMENT,  
 QUANTITIES, & INSTALLATION  
 DESIGN. CONTRACTOR MUST  
 VERIFY ALL DIMENSIONS.

PHONE (573)-744-5211  
 FAX (573)-744-5586  
 COMMERCIAL  
 FAX (573)-744-5822  
 quakerwindows.com

**QUAKER**  
 WINDOWS & DOORS

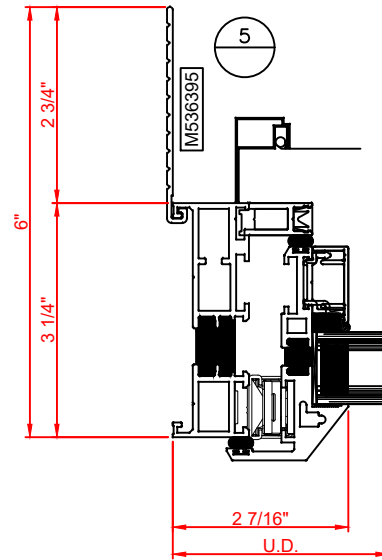
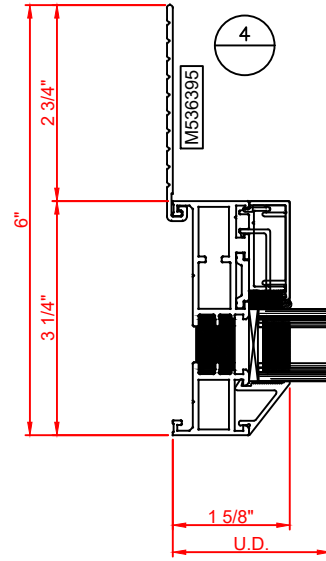
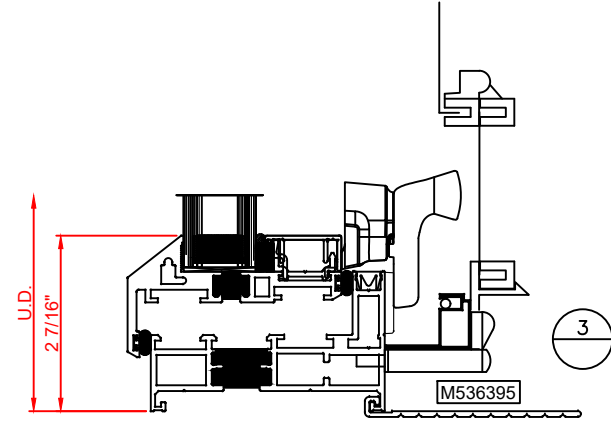
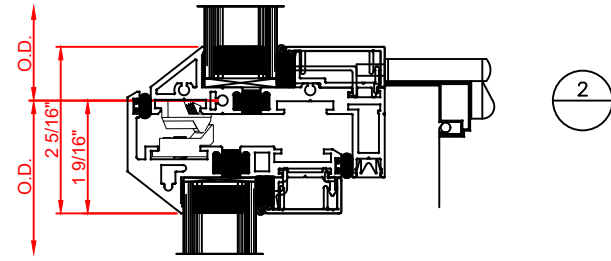
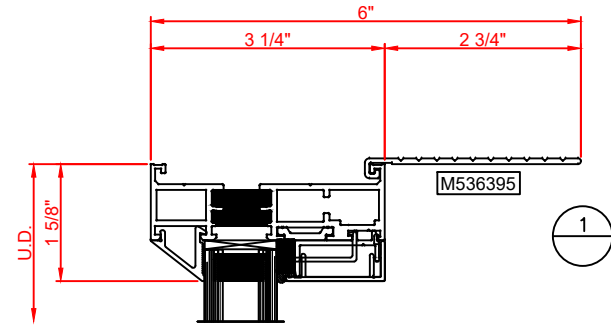
504 Highway 63 South  
 Freeburg, MO 65035

Drawn By: QWP  
 Checked By: -----

Scale: 3/8"=1"  
 Sheet #: C1

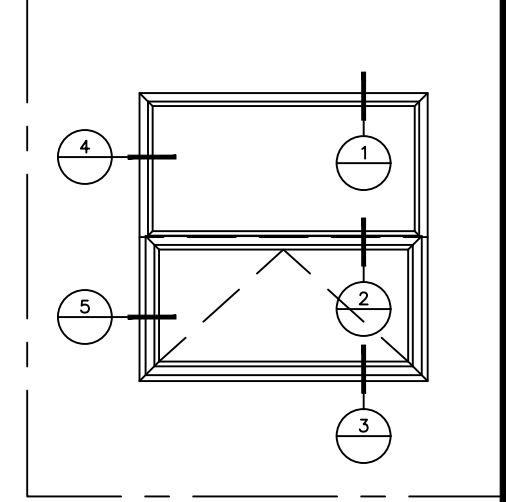
Drawing Created  
 3/7/22

**EXTERIOR**



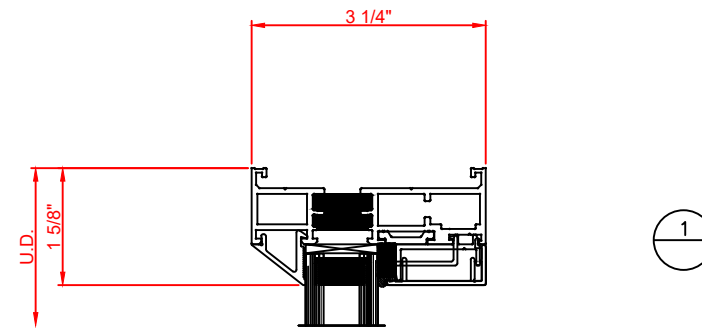
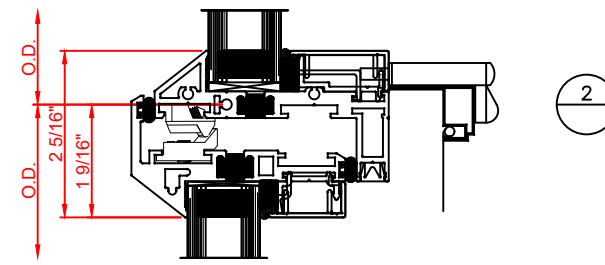
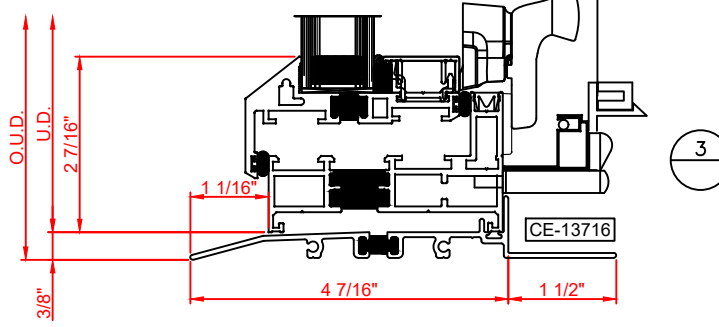
**EXTERIOR**

SERIES	H450
CONFIGURATION	FIXED OVER AWNING
INSTALLATION METHOD	INTERIOR ANCHOR STRAP
<p>Quaker reserves the right to change any/all designs without notice. Due to periodic re-certification requirements, result shown may vary.          Installation methods shown are generic. No sealant shown on details.          Accessory part numbers are shown on the cut sections.          Contact Quaker if job specific details are required.          This Document contains confidential and proprietary information intended for the private use of Quaker.          2015 Quaker Window Products Co., Inc.          All rights reserved.</p>	

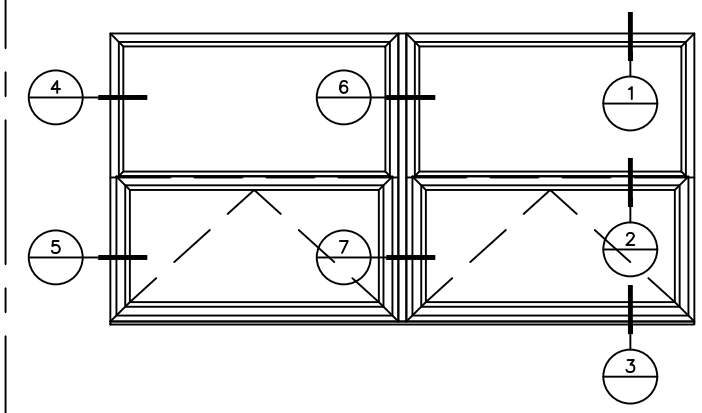
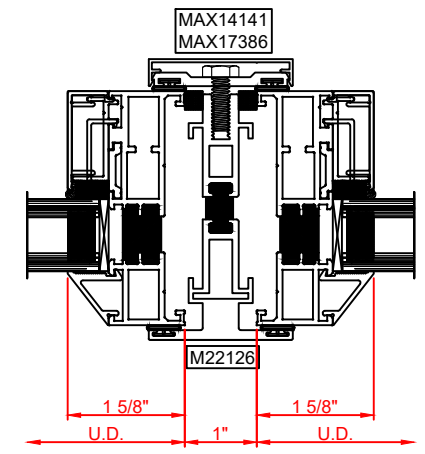
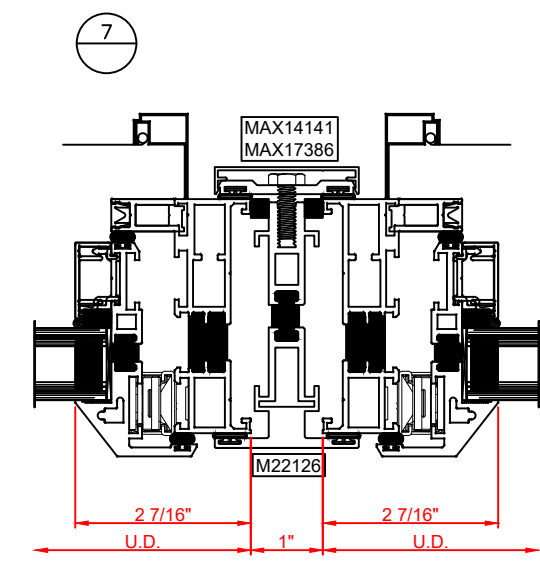
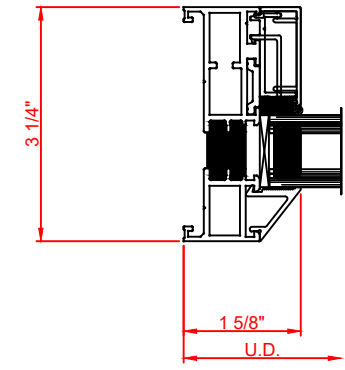
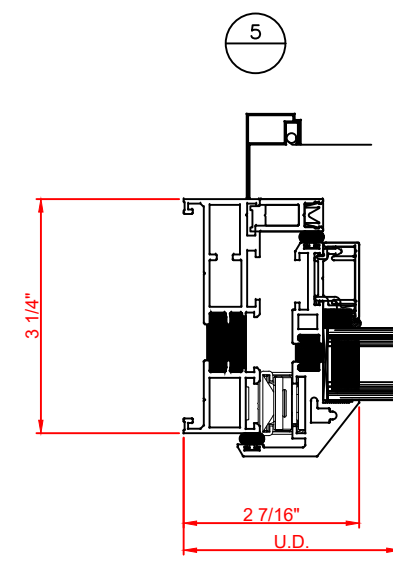


<p>Project Name: <b>QUAKER DETAILS</b></p>	
<p>Description: <b>CUT DETAILS</b></p>	<p>QUAKER WINDOW PRODUCTS          WILL NOT BE RESPONSIBLE          FOR FIELD MEASUREMENT,          QUANTITIES, &amp; INSTALLATION          DESIGN. CONTRACTOR MUST          VERIFY ALL DIMENSIONS.</p>
<p>PHONE (573)-744-5211          FAX (573)-744-5586          COMMERCIAL          FAX (573)-744-5822          quakerwindows.com</p>	<p>Scale: <b>3/8"=1"</b>          Sheet #: <b>C2</b></p>
<p>504 Highway 63 South          Freeburg, MO 65035</p>	<p>Drawn By: <b>QWP</b>          Checked By: -----</p>
<p>Drawing Created          3/7/22</p>	

EXTERIOR



EXTERIOR



SERIES	H450
CONFIGURATION	FIXED OVER AWNING
INSTALLATION METHOD	VERTICAL T-MULL LOW PROFILE SILL FLASHING
<p>Quaker reserves the right to change any/all designs without notice. Due to periodic re-certification requirements, result shown may vary.            Installation methods shown are generic. No sealant shown on details.            Accessory part numbers are shown on the cut sections.            Contact Quaker if job specific details are required.            This Document contains confidential and proprietary information intended for the private use of Quaker.            2015 Quaker Window Products Co., Inc.            All rights reserved.</p>	

Project Name: **QUAKER DETAILS**

Description: **CUT DETAILS**

PHONE (573)-744-5211  
 FAX (573)-744-5586  
 COMMERCIAL  
 FAX (573)-744-5822  
 quakerwindows.com

QUAKER WINDOW PRODUCTS  
 WILL NOT BE RESPONSIBLE  
 FOR FIELD MEASUREMENT,  
 QUANTITIES, & INSTALLATION  
 DESIGN. CONTRACTOR MUST  
 VERIFY ALL DIMENSIONS.

Scale: 3/8"=1"  
 Sheet #: C3



Drawn By: QWP  
 Checked By: -----

504 Highway 63 South  
 Freeburg, MO 65035

Drawing Created  
 3/7/22